



31001 Float - right  
31002 Float - left



31003 Trampoline - right  
31004 Trampoline - left



31005 Seat - right  
31006 Seat - left  
Aluminium frame, transparent polyester board, Cleat, Block (excluding trampoline and keel fin)



31007 Keel fin



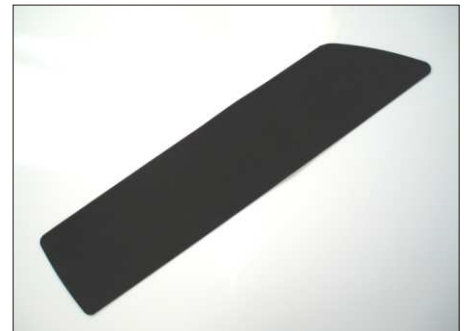
31008 Block  
Seat



31009 Cleat  
Rope capacity 2-8 mm



31010 Retaining Clip  
Stainless steel

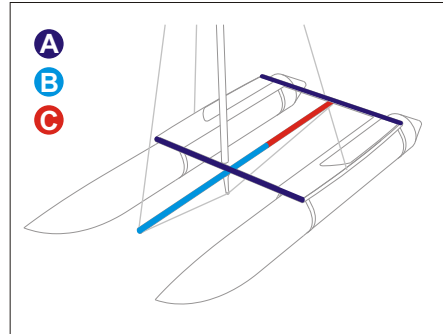


31011 Rubber - right  
31012 Rubber - left  
Material: Kontypor



**31013 Keel fin clamp**

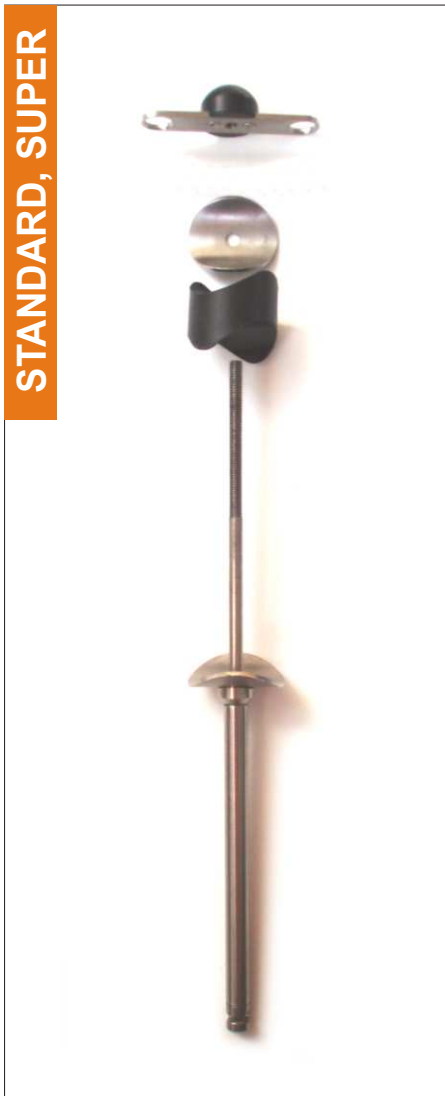
Stainless steel  
40 x 16 x 2 mm



**A 31014 Frame tube**  
Aluminium tube 40 x 2 x 1350 mm

**B 31015 Central tube front**  
Aluminium tube 40 x 2 x 1350 mm

**C 31016 Central tube back**  
Aluminium tube 40 x 2 x 950 mm



STANDARD, SUPER



**31017 Joint female screw**  
Stainless steel



**31019 Washer**  
Stainless steel, 40 x 40 x 2 mm



**31020 Cross washer**  
Plastic

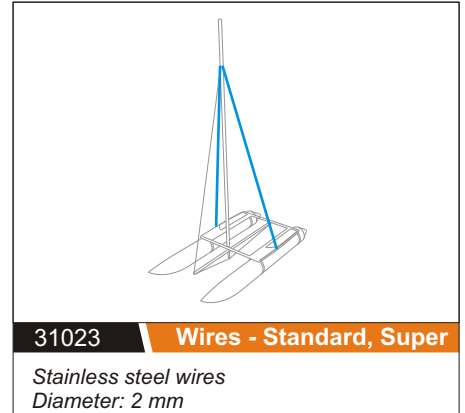


**31021 Front screw**  
Stainless steel

SPORT

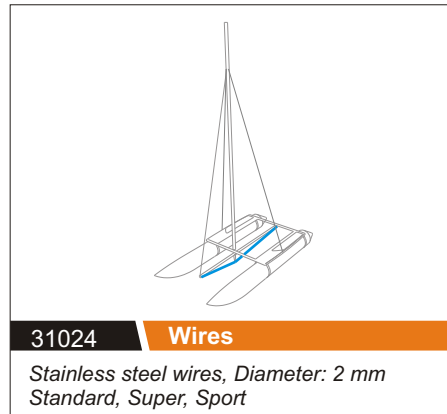


31022 Jib furler V-Cleat



31023 Wires - Standard, Super

Stainless steel wires  
Diameter: 2 mm



31024 Wires

Stainless steel wires, Diameter: 2 mm  
Standard, Super, Sport



31025 Wires - Sport

Stainless steel wires  
Diameter: 2 mm

SPORT, SUPER, STANDARD



31026 Back screw

M6 Stainless steel



31019 Washer

Stainless steel, 40 x 40 x 2 mm



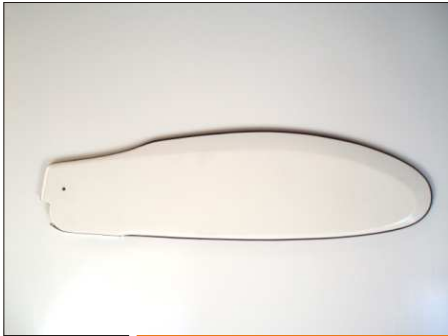
31020 Cross washer

Plastic



31027 Wing-nut

M6  
Stainless steel



31028 Rudder blade

Colour: White



31029 Rudder assembly

Rudder casting, Tiller arm, Tiller extension



31030 Fiddle Block, Cleat



31031 Screw M6

M6 x 35 mm, Stainless steel



31032 Fairlead



31034 Mast - Standard, Super

31038 Mast - Sport

Aluminium segments 3x 1350 mm



31035 Block

(Main Sail)

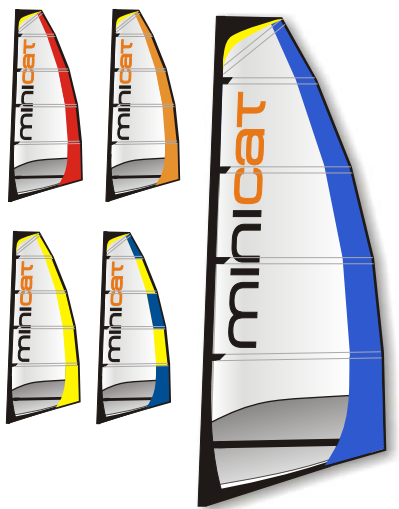


31037 Mast joint

Version: Super, Standard, Sport, Plastic

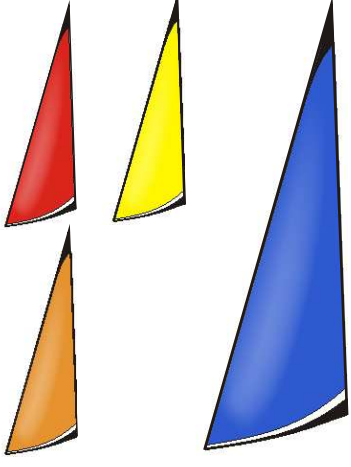


31042 Jib furler system



**31049 \* Sail - Sport, Standard, Super**

\*Colour:  
 1 - blue ; 2 - red ; 3 - yellow  
 4 - orange ; 5 - blue/yellow

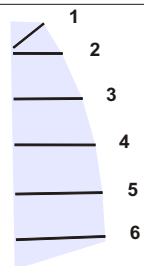


**31050 \* Jib - Sport**  
**31051 \* Jib - Super**

\*Colour:  
 1 - blue ; 2 - red ; 3 - yellow ; 4 - orange



**31059 Valve**



1	31053	Batten 655 mm
2	31054	Batten 760 mm
3	31055	Batten 1065 mm
4	31056	Batten 1240 mm
5	31057	Batten 1295 mm
6	31058	Batten 1270 mm




**31060 Valve Wrench**



**31061 Inflation pump 4 litres**  
**31161 Inflation pump 6/3 litres**

*Pump commutable from double action to single action (works while pushing only).*



**31062 MiniCat Repair Kit**

Colour: Grey



**31063 Bag for small parts**

280 x 350 mm  
 Colour: Grey



**31064 Minicat Bag**

1400 x 300 x 400 mm



**31065 Shackle**

(Main Sail)  
Stainless steel



**31066 Electric pump 12 V**

The compressor powered by a car battery



**31067 MiniCat Maintenance Kit**



**31040 Rudder Pin**

Stainless steel



**31068 Engine support**

A waterproof plywood board is easily fastened on the place of rudder mounting



**31069 D-rings with glue**



**31070 Wind Flag**

Indicator of wind direction on the top of the mast.



**31071 Two smaller bags**

The boat may be packed in two smaller and lighter bags instead of one bag.



**31072** A telephone case

*Protects against running water and also against short immersion in water.*



**31073** Waterproof sack 5l

**31074** Waterproof sack 12l

**31075** Waterproof sack 23l

**31076** Waterproof sack 40l



**31077** Pressure Gauge

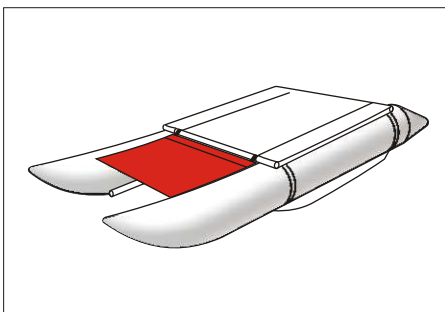


**31078** Telescopic Paddle

*Length 500 - 1150 mm.*

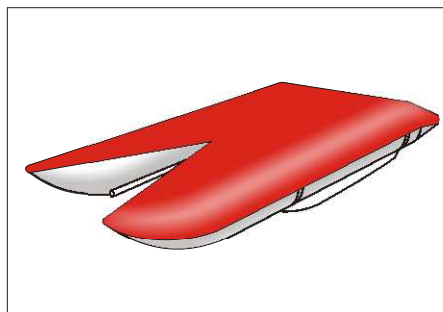


**31079** Adapter for Valves



**31080** Additional Trampoline

*Maximum load 20 kg*



**31081** Protective cover



**31082** Windmeter



31083 **MiniCat Bag**  
*Plastel 500 x 300 x 250 mm*



10501 **Black Woolly Hat**



10502 **Black Cap**



10503 **White Water Bottle**



10504 **Fish Key Ring**  
*Anodized dural*



10505 **Compass**



10506 **Sailor Bag**



10507 **Wind Proof Jacket**  
*XL ; XXL*



10508 **Banner MiniCat**  
*3000 x 1000 mm*





**10509**    **Flag MiniCat**  
700 x 3000 mm



**10403**    **T- shirt**  
L ; XL    *Black ; Red*



**10404**    **Polo shirt**  
L ; XL    *Black ; Red*



**10405**    **T-shirt**  
L ; XL



**10406**    **Polo shirt**  
L ; XL



**10510**    **UV Tech**  
*Protectant & Rejuvenator*    355 ml